

3M Science.
Applied to Life.™

The freedom to imagine.
To design. To build.

3M 7070UV Industrial Protective Film (IPF)

Manuela Compostella – Mktg Specialist IATD – SEER
Ferdinando Ranzanici – APP engineer IATD - SEER

3M Industrial Protective Films (IPF)

pellicola protettiva in poliuretano trasparente con
adesivo acrilico



Adhesive	Acrylic	
Backing	Polyurethane	
Release Liner	Paper	
Thickness (ASTM D3652)	7070UV	7071UV
Total	0.20 mm	0.36 mm
Backing	0.17 mm	0.31 mm

	7070UV	7071UV
Adhesion to Stainless Steel (ASTM D3330)	51 N/100 mm	63 N/100 mm
Tensile Strength (ASTM D3330)	1261 N/100 mm	2163 N/100 mm
Elongation at Break (ASTM D3759)	638 %	706 %
Liner Release (ASTM D3330)	0.43 N/100 mm	0.43 N/100 mm
Water Vapour Transmission Rate (ASTM D3833)	6.1 g /100 in ² /24 h	2.8 g /100 in ² /24 h

Quali sono i requisiti richiesti dai clienti?

1. Ridurre i reclami in garanzia
2. Aumentare la soddisfazione dell'utente finale
3. Ridurre gli scarti di qualità
4. Avere un potenziale di profitto aggiuntivo per opzione aggiuntiva



Button panel protection
Wall panel protection
Door protection - Elevator
Handle area protection
Panel scratch protection - Luggage



Button protection
Main panel protection
Glass touch screen protection - Vending/ ATM/ Gas machines
High wear areas
Label protection - Small engine - lawn mower, snow thrower, weed whipper
Snowboard surface protection
Bicycle frame protection
Exercise equipment paint chip areas - Sporting Goods



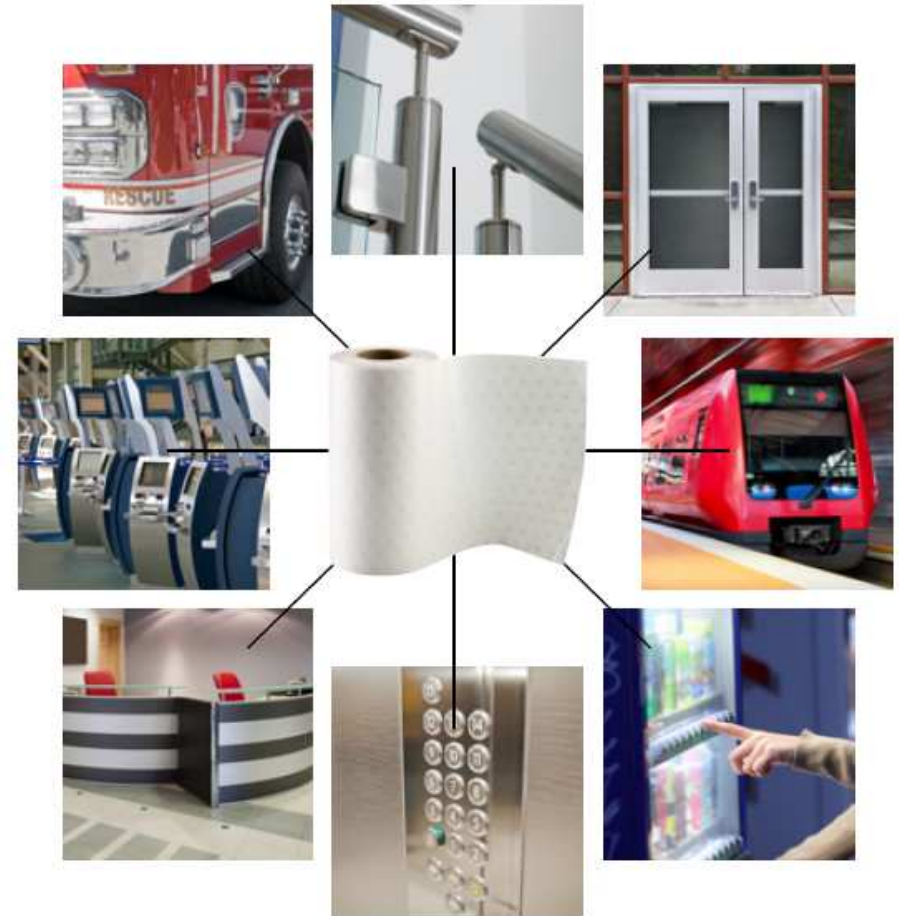
3M ha una tecnologia di base che può soddisfare queste esigenze.

3M

Industrial Tapes and Adhesives Division

Opportunità globali mercato industriale

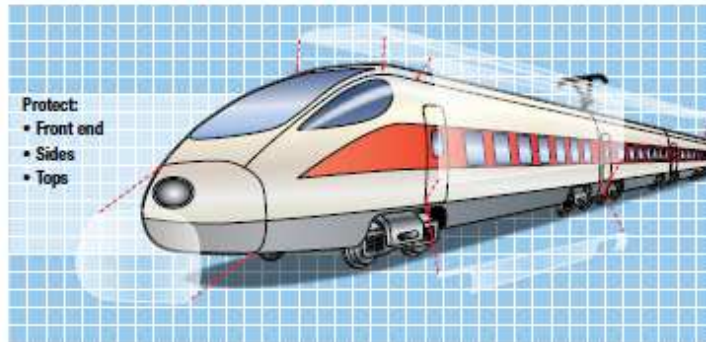
- ✓ Elettrodomestici
- ✓ POP / Vending machines
- ✓ Articoli sportivi - Veicoli sportivi
- ✓ Porte e Finestre
- ✓ Architettura e costruzioni
- ✓ Mobili e Arredamento
- ✓ Ascensori
- ✓ Bus & Rail e Veicoli di emergenza
- ✓ Macchine e attrezzature agricole
- ✓ Varie / Industria generale e lavorazione dei metalli



Application Replications

Market: Passenger Rail

Application Description: Long-term abrasion and corrosion resistance to protect exterior surfaces of passenger trains, including the end, skirts and roof.



- Protect:**
- Front end
 - Sides
 - Tops

Key Application Requirements

Film needs to hold reliably to a variety of surfaces, such as glass, steel, aluminum and painted metals. Needs to be long lasting, conformable and easy to install. Film should resist UV rays and create minimal change in surface appearance, even over extended periods of time.

Product or Process Replaced

Protective paints, coatings and/or vinyl films.

Benefits/Advantages to Customer

Engineered for durability:

Resists damage from abrasion—commonly caused by rocks, tree branches and other debris—chemicals, tears, punctures and galvanic corrosion. Maintains a smooth, long-lasting surface on train exteriors including high-visibility areas.

Excellent backing transparency:

Allows for surface protection with minimal distortion of surface design and/or printed information beneath film.

Easy-release paper liner:

Enables die cutting for simple, streamlined application during or after manufacture.

Fully compatible with most paints:

Seamlessly applies over painted surfaces or can easily be painted.

UV resistant:

Withstands outdoor conditions.

PRODUCT

Flat and Curved Surfaces

3M™ Industrial Protective Film 7070UV

3M™ Industrial Protective Film 7071UV

Thermoformable for Complex Surfaces

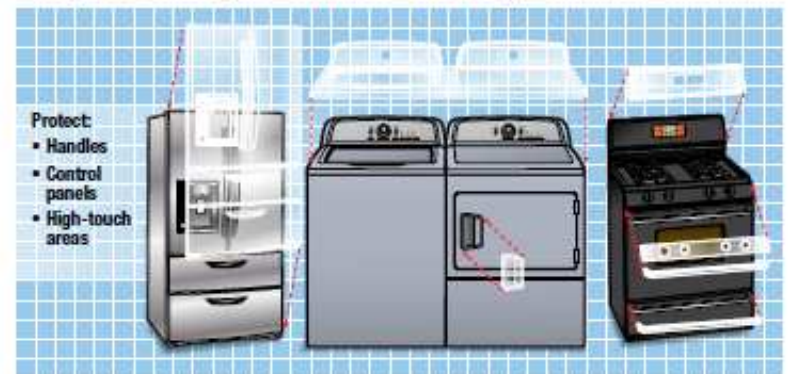
3M™ Polyurethane Protective Tape 8673

3M™ Polyurethane Protective Tape 8674

3M Industrial Adhesives and Tapes Division

Market: Appliances (OEM)

Application Description: Long-term abrasion and corrosion resistance to protect external surfaces on refrigerators, washers, dryers, ovens, microwaves and other appliances.



- Protect:**
- Handles
 - Control panels
 - High-touch areas

Key Application Requirements

Film needs to hold reliably to a variety of surfaces, such as stainless steel, high-gloss painted metal, injection molded plastic and other materials. Needs to be long lasting, conformable and easy to install. Film should create minimal change in surface appearance, even over extended periods of time.

Product or Process Replaced

No known competitive products are used beyond original surface.

Benefits/Advantages to Customer

Engineered for durability:

Resists damage from abrasion caused by daily wear and tear, chemicals, tears, punctures and galvanic corrosion. Maintains a smooth, long-lasting surface even on high-touch areas of appliances.

Excellent backing transparency:

Allows for surface protection with minimal distortion of surface design and/or printed information beneath film.

Easy-release paper liner:

Enables die cutting for simple, streamlined application during or after manufacture.

PRODUCT

3M™ Industrial Protective Film 7070UV

3M™ Industrial Protective Film 7071UV



Application Replications

Market: Motorcycles (OEM)

Application Description: Long-term abrasion and corrosion resistance to protect external surfaces on motorcycles.



- Protect:**
- Gas tanks
 - Chrome
 - Fenders
 - Fairings

Key Application Requirements

Film needs to hold reliably to a variety of surfaces, such as metal, fiberglass, plastic, composites and other materials. Needs to be long lasting, conformable and easy to install. Film should resist UV rays and create minimal change in surface appearance, even over extended periods of time.

Product or Process Replaced

No known competitive products are used beyond original surface.

Benefits/Advantages to Customer

Engineered for durability:

Resists damage from abrasion—commonly caused by shoes, gear, rocks and other debris—chemicals like oil and gas, tears, punctures and galvanic corrosion. Maintains a smooth, long-lasting surface on areas of motorcycles that frequently experience wear and abuse.

Excellent backing transparency:

Allows for surface protection with minimal distortion of surface design and/or printed information beneath film.

Easy-release paper liner:

Enables die cutting for simple, streamlined application during or after manufacture.

UV resistant:

Withstands outdoor conditions.

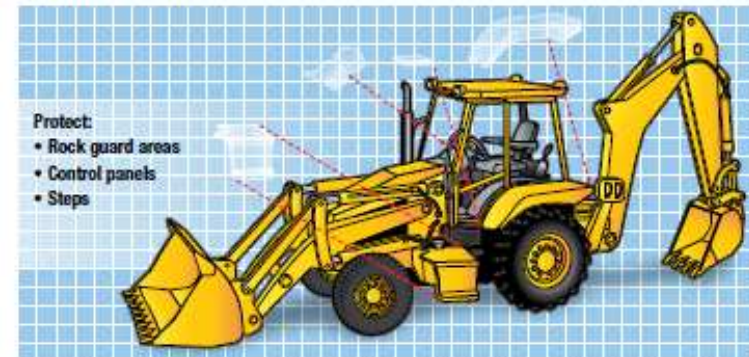
PRODUCT

3M™ Industrial Protective Film 7070UV

3M™ Industrial Protective Film 7071UV

Market: Heavy Machinery (OEM)

Application Description: Long-term abrasion and corrosion resistance to protect internal and external surfaces on heavy machinery.



- Protect:**
- Rock guard areas
 - Control panels
 - Steps

Key Application Requirements

Film needs to hold reliably to a variety of surfaces, such as metal, plastic, composites and other materials. Needs to be long lasting, conformable and easy to install. Film should resist UV rays and create minimal change in surface appearance, even over extended periods of time.

Product or Process Replaced

No known competitive products are used beyond original surface.

Benefits/Advantages to Customer

Engineered for durability:

Resists damage from abrasion—commonly caused by boots, tools, rocks and other debris—chemicals, tears, punctures and galvanic corrosion. Maintains a smooth, long-lasting surface on equipment that experiences frequent wear and abuse such as excavators, backhoes, skid-steer loaders and more.

Excellent backing transparency:

Allows for surface protection with minimal distortion of surface design and/or printed information beneath film.

Easy-release paper liner:

Enables die cutting for simple, streamlined application during or after manufacture.

UV resistant:

Withstands outdoor conditions.

PRODUCT

3M™ Industrial Protective Film 7070UV

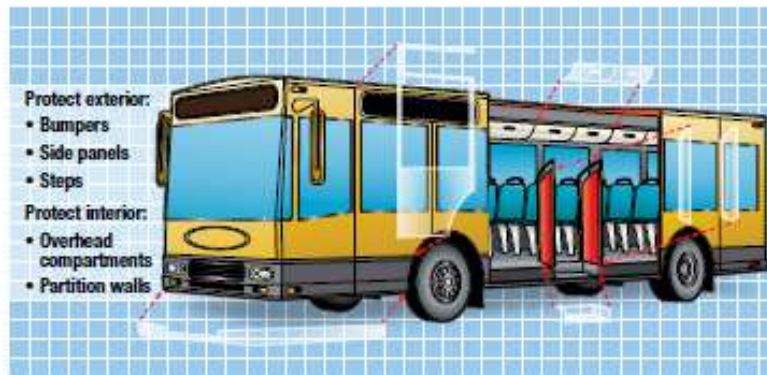
3M™ Industrial Protective Film 7071UV



Application Replications

Market: Bus (OEM)

Application Description: Long-term abrasion and corrosion protection for transit bus surfaces including steps, side panels and bumpers on the exterior, and overhead luggage compartments and partition walls in the interior.



- Protect exterior:**
- Bumpers
 - Side panels
 - Steps
- Protect interior:**
- Overhead compartments
 - Partition walls

Key Application Requirements

Film needs to hold reliably to a variety of surfaces, such as glass, plastic, steel, aluminum, fiberglass and other materials. Needs to be long lasting, conformable and easy to install. Film should resist UV rays and create minimal change in surface appearance, even over extended periods of time.

Product or Process Replaced

Protective paints, coatings and/or vinyl films.

Benefits/Advantages to Customer

Engineered for durability:

Resists damage from abrasion—commonly caused by objects ranging from debris outside to shoes or luggage inside—chemicals, tears, punctures and galvanic corrosion. Maintains a smooth, long-lasting surface on high-touch and/or high-visibility areas.

Excellent backing transparency:

Allows for surface protection with minimal distortion of surface design and/or printed information beneath film.

Easy-release paper liner:

Enables die cutting for simple, streamlined application during or after manufacture.

UV resistant:

Withstands outdoor conditions.

PRODUCT

3M™ Industrial Protective Film 7070UV

3M™ Industrial Protective Film 7071UV

Market: Emergency Vehicles (OEM)

Application Description: Long-term abrasion and corrosion resistance to protect external surfaces on emergency vehicles.



Protect:

- Rock guard areas
- Ladder & stretcher exits
- Bumpers
- Steps

Key Application Requirements

Film needs to hold reliably to a variety of surfaces, such as metal, plastic, composites and other materials. Needs to be long lasting, conformable and easy to install. Film should resist UV rays and create minimal change in surface appearance, even over extended periods of time.

Product or Process Replaced

No known competitive products are used beyond original surface.

Benefits/Advantages to Customer

Engineered for durability:

Resists damage from abrasion—commonly caused by boots, tools, rocks and other debris—chemicals such as oil and gas, tears, punctures and galvanic corrosion. Maintains a smooth, long-lasting surface on areas of emergency vehicles that frequently experience wear and abuse.

Excellent backing transparency:

Allows for surface protection with minimal distortion of surface design and/or printed information beneath film.

Easy-release paper liner:

Enables die cutting for simple, streamlined application during or after manufacture.

UV resistant:

Withstands outdoor conditions.

PRODUCT

3M™ Industrial Protective Film 7070UV

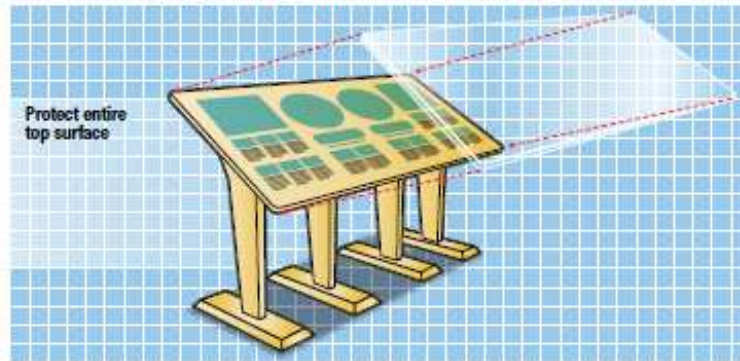
3M™ Industrial Protective Film 7071UV



Application Replications

Market: Standup Displays (OEM)

Application Description: Long-term abrasion and corrosion resistance to protect the high-touch surfaces on standup displays commonly found in museums, office buildings, malls and more.



Key Application Requirements

Film needs to hold reliably to a variety of surfaces, such as glass, metal, plastic, Plexiglas® and other materials. Needs to be long lasting, conformable and easy to install. Film should resist UV rays and create minimal change in surface appearance, even over extended periods of time.

Product or Process Replaced

Protective, high-strength security films are sometimes used.

Benefits/Advantages to Customer

Engineered for durability:

Resists damage from abrasion—commonly caused by jewelry, fingernails, backpacks and other objects—chemicals, tears, punctures and galvanic corrosion. Maintains a smooth, long-lasting surface on products that experience frequent wear and abuse such as the high-touch glass or plastic surfaces on standup displays.

Excellent backing transparency:

Allows for surface protection with minimal distortion of surface design and printed information beneath film.

Easy-release paper liner:

Enables die cutting for simple, streamlined application during or after manufacture.

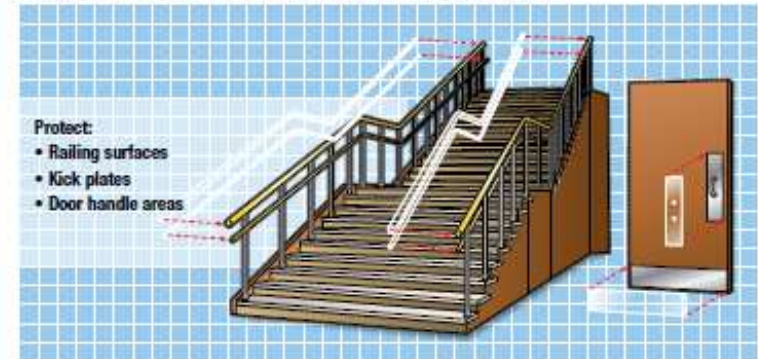
UV resistant:

Protects both indoors and outdoors.

3M™ Industrial Protective Film 7070UV
3M™ Industrial Protective Film 7071UV

Market: Architecture

Application Description: Long-term abrasion and corrosion resistance to protect surfaces on stair handrails and doors in malls, museums, hotels and other high-traffic areas.



Key Application Requirements

Film needs to hold reliably to a variety of surfaces, such as metal, plastic, wood, composites and other materials. Needs to be long lasting, conformable and easy to install. Film should resist UV rays and create minimal change in surface appearance, even over extended periods of time.

Product or Process Replaced

No known competitive products are used beyond original surface.

Benefits/Advantages to Customer

Engineered for durability:

Resists damage from abrasion—commonly caused by jewelry, bags and other objects—chemicals, tears, punctures and galvanic corrosion. Maintains a smooth, long-lasting surface on products that experience frequent wear and abuse such as the high-touch surfaces of handrails and doors.

Excellent backing transparency:

Allows for surface protection with minimal distortion of surface design and/or printed information beneath film.

Easy-release paper liner:

Enables die cutting for simple, streamlined application during or after manufacture.

UV resistant:

Protects both indoors and outdoors.

PRODUCT

3M™ Industrial Protective Film 7070UV
3M™ Industrial Protective Film 7071UV



Application Replications

Market: Public Seating (OEM)

Application Description: Long-term abrasion and corrosion resistance to protect public seating surfaces found in mass transit, stadiums, auditoriums and other heavily used spaces.



Protect:

- Armrests
- Frames
- Legs
- Hard seats

Key Application Requirements

Film needs to hold reliably to a variety of surfaces, such as metal, plastic, wood, composites and other materials. Needs to be long lasting, conformable and easy to install. Film should resist UV rays and create minimal change in surface appearance, even over extended periods of time.

Product or Process Replaced

No known competitive products are used beyond original surface.

Benefits/Advantages to Customer

Engineered for durability:

Resists damage from abrasion—commonly caused by keys, jewelry, shoes, backpacks and other objects—chemicals, tears, punctures and corrosion. Maintains a smooth, long-lasting surface on products that experience frequent wear and abuse such as armrests, seats, frames and chair legs.

Excellent backing transparency:

Allows for surface protection with minimal distortion of surface design and/or printed information beneath film.

Easy-release paper liner:

Enables die cutting for simple, streamlined application during or after manufacture.

UV resistant:

Protects both indoors and outdoors.

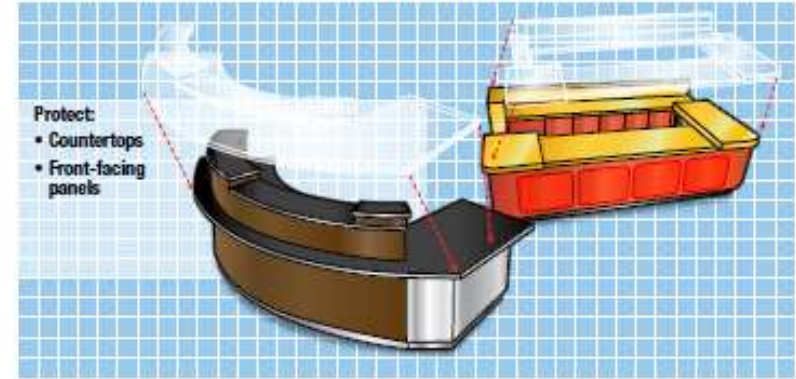
PRODUCT

3M™ Industrial Protective Film 7070UV

3M™ Industrial Protective Film 7071UV

Market: Service Counters (OEM)

Application Description: Long-term abrasion and corrosion resistance to protect external surfaces on service counters in hotels, fast food establishments and other high-traffic public areas.



Protect:

- Countertops
- Front-facing panels

Key Application Requirements

Film needs to hold reliably to a variety of surfaces, such as wood, metal, laminate, plastic and other materials. Needs to be long lasting, conformable and easy to install. Film should resist UV rays and create minimal change in surface appearance, even over extended periods of time.

Product or Process Replaced

Plastic protector pads or adhesive films.

Benefits/Advantages to Customer

Engineered for durability:

Resists damage from abrasion—commonly caused by shoes, jewelry, pens and other objects—chemicals, tears, punctures and galvanic corrosion. Maintains a smooth, long-lasting surface on products that experience frequent wear and abuse such as high-touch areas on service counters.

Excellent backing transparency:

Allows for surface protection with minimal distortion of surface design and/or printed information beneath film.

Easy-release paper liner:

Enables die cutting for simple, streamlined application during or after manufacture.

UV resistant:

Protects both indoors and outdoors.

PRODUCT

3M™ Industrial Protective Film 7070UV

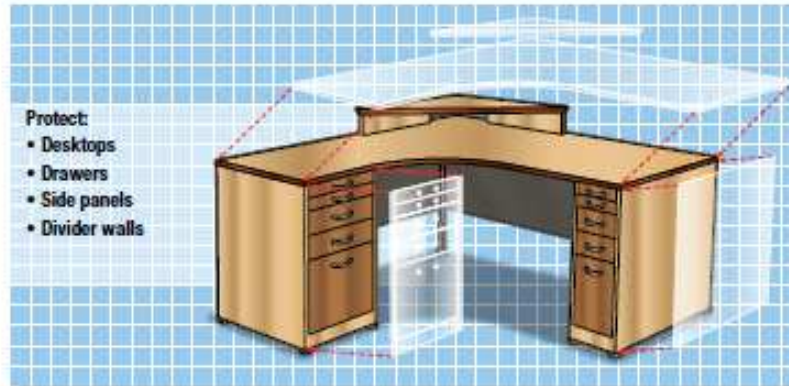
3M™ Industrial Protective Film 7071UV



Application Replications

Market: Desks & Workstations (OEM)

Application Description: Long-term abrasion and corrosion resistance to protect external surfaces on desks and workstations.



Protect:

- Desktops
- Drawers
- Side panels
- Divider walls

Key Application Requirements

Film needs to hold reliably to a variety of surfaces, such as wood, metal, laminate, plastic, glass and other materials. Needs to be long lasting, conformable and easy to install. Film should create minimal change in surface appearance, even over extended periods of time.

Product or Process Replaced

Plastic desk protector pads or adhesive films.

Benefits/Advantages to Customer

Engineered for durability:

Resists damage from abrasion—commonly caused by shoes, jewelry, pens and other objects—chemicals, tears, punctures and galvanic corrosion. Maintains a smooth, long-lasting surface on products that experience frequent wear and abuse such as the high-touch areas on desks and workstations.

Excellent backing transparency:

Allows for surface protection with minimal distortion of surface design and/or printed information beneath film.

Easy-release paper liner:

Enables die cutting for simple, streamlined application during or after manufacture.

PRODUCT

3M™ Industrial Protective Film 7070UV

3M™ Industrial Protective Film 7071UV

Market: ATVs and Snowmobiles (OEM)

Application Description: Long-term abrasion and corrosion resistance to protect external surfaces on ATVs and snowmobiles.



Protect:

- Hoods
- Side panels
- Windshields
- Top of skis
- Decals & design elements

Key Application Requirements

Film needs to hold reliably to a variety of surfaces, such as metal, plastic and other materials. Needs to be long lasting, conformable and easy to install. Film should resist UV rays and create minimal change in surface appearance, even over extended periods of time.

Product or Process Replaced

Spray-on protectants, finishes and polishes are the most frequently used.

Benefits/Advantages to Customer

Engineered for durability:

Resists damage from abrasion—commonly caused by debris on trails—chemicals, tears, punctures and galvanic corrosion. Maintains a smooth, long-lasting surface on areas that experience frequent wear and abuse, such as hoods, side panels, windshields, ski tops and other design elements.

Excellent backing transparency:

Allows for surface protection with minimal distortion of surface design and/or printed information beneath film.

Easy-release paper liner:

Enables die cutting for simple, streamlined application during or after manufacture.

UV resistant:

Withstands outdoor conditions.

PRODUCT

3M™ Industrial Protective Film 7070UV

3M™ Industrial Protective Film 7071UV

Application Replications

Market: Bicycles (OEM)

Application Description: Long-term abrasion and corrosion resistance to protect surfaces on bicycles.



Protect:

- Tubes
- Stays
- Forks
- Decals & design elements
- Handle bars

Key Application Requirements

Film needs to hold reliably to a variety of surfaces such as steel, carbon fiber, carbon steel, aluminum alloys, titanium and other materials. Needs to be long lasting, conformable and easy to install. Film should resist UV rays and create minimal change in surface appearance, even over extended periods of time.

Product or Process Replaced

No known competitive products are used by OEMs beyond original surface.

Benefits/Advantages to Customer

Engineered for durability:

Resists damage from abrasion—commonly caused by rocks, sticks and other debris—chemicals like hot tar or oil, tears, punctures and corrosion. Maintains a smooth, long-lasting surface on products that experience frequent wear and abuse such as bicycle frames.

Excellent backing transparency:

Allows for surface protection with minimal distortion of surface design and/or printed information beneath film.

Easy-release paper liner:

Enables die cutting for simple, streamlined application during or after manufacture.

UV resistant:

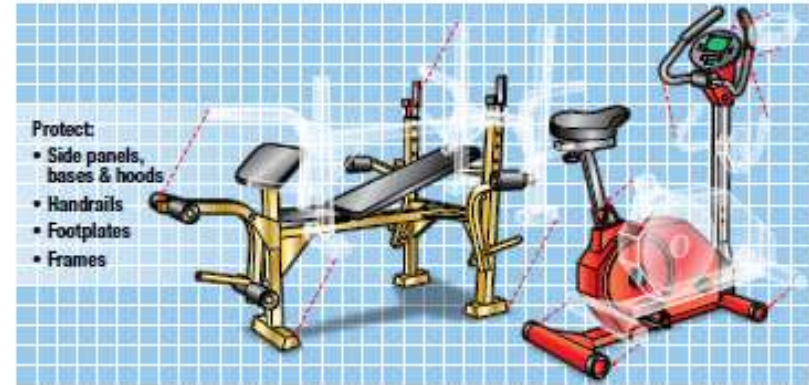
Protects both indoors and outdoors.

PRODUCT

3M™ Industrial Protective Film 7070UV
3M™ Industrial Protective Film 7071UV

Market: Exercise Equipment (OEM)

Application Description: Long-term abrasion and corrosion resistance to protect external surfaces on a wide range of exercise equipment.



Protect:

- Side panels, bases & hoods
- Handrails
- Footplates
- Frames

Key Application Requirements

Film needs to hold reliably to a variety of surfaces, such as metal, plastic and other materials. Needs to be long lasting, conformable and easy to install. Film should create minimal change in surface appearance, even over extended periods of time.

Product or Process Replaced

No known competitive products are used beyond original surface.

Benefits/Advantages to Customer

Engineered for durability:

Resists damage from abrasion—commonly caused by shoes or other equipment—chemicals, tears, punctures and galvanic corrosion. Maintains a smooth, long-lasting surface on areas that experience frequent wear and abuse, such as railings, hoods, side panels, bases, handrails, footplates and other external surfaces.

Excellent backing transparency:

Allows for surface protection with minimal distortion of surface design and/or printed information beneath film.

Easy-release paper liner:

Enables die cutting for simple, streamlined application during or after manufacture.

PRODUCT

3M™ Industrial Protective Film 7070UV
3M™ Industrial Protective Film 7071UV

Application Replications

Market: Snowboards and Skis (OEM)

Application Description: Long-term abrasion and corrosion resistance to protect surfaces on snowboards and skis.



Protect:

- Top surfaces
- Decals
- Designs

Key Application Requirements

Film needs to hold reliably to a variety of surfaces, such as wood, plastic, fiberglass, carbon fiber and other materials. Needs to be long lasting, conformable and easy to install. Film should resist UV rays and create minimal change in surface appearance, even over extended periods of time.

Product or Process Replaced

Plastic cleaners, polishes and protectants.

Benefits/Advantages to Customer

Engineered for durability:

Resists damage from abrasion—commonly caused by ice, sticks and other debris—chemicals, tears and punctures. Maintains a smooth, long-lasting surface on products that experience frequent wear and abuse such as the top-facing surfaces on skis and snowboards.

Excellent backing transparency:

Allows for surface protection with minimal distortion of surface design and/or printed information beneath film.

Easy-release paper liner:

Enables die cutting for simple, streamlined application during or after manufacture.

UV resistant:

Withstands outdoor conditions.

PRODUCT

3M™ Industrial Protective Film 7070UV

3M™ Industrial Protective Film 7071UV

Market: Lawn Mowers and Snow Blowers (OEM)

Application Description: Long-term abrasion and corrosion resistance to protect surfaces on lawn mowers and snow blowers.



Protect:

- Starter rope areas
- Front deck covers
- Mower decks
- Snow chutes
- Handles

Key Application Requirements

Film needs to hold reliably to a variety of surfaces, such as metal, plastic and other materials. Needs to be long lasting, conformable and easy to install. Film should resist UV rays and create minimal change in surface appearance, even over extended periods of time.

Product or Process Replaced

No known competitive products are used beyond original surface.

Benefits/Advantages to Customer

Engineered for durability:

Resists damage from abrasion—commonly caused by rocks, sticks and other debris—chemicals like oil and gas, tears, punctures and corrosion. Maintains a smooth, long-lasting surface on products that experience frequent wear and abuse such as the exterior surfaces of lawn mowers and snow blowers.

Excellent backing transparency:

Allows for surface protection with minimal distortion of surface design and/or printed information beneath film.

Easy-release paper liner:

Enables die cutting for simple, streamlined application during or after manufacture.

UV resistant:

Withstands outdoor conditions.

PRODUCT

3M™ Industrial Protective Film 7070UV

3M™ Industrial Protective Film 7071UV



Application Replications

Market: Vending Machines, ATMs and Gas Pumps (OEM)

Application Description: Long-term abrasion and corrosion resistance to protect surfaces on vending machines, ATMs and gas pumps.



- Protect:**
- Keypads
 - Image screens
 - Button mechanisms
 - Control panels

Key Application Requirements

Film needs to hold reliably to a variety of surfaces, such as metal, plastic and other materials. Needs to be long lasting, conformable and easy to install. Film should resist UV rays and create minimal change in surface appearance, even over extended periods of time.

Product or Process Replaced

No known competitive products are used beyond original surface.

Benefits/Advantages to Customer

Engineered for durability:

Resists damage from abrasion, chemicals, tears, punctures and galvanic corrosion. Maintains a smooth, long-lasting surface on areas that experience frequent wear and abuse, such as keypad areas, image screens, control panels and button mechanisms.

Excellent backing transparency:

Allows for surface protection with minimal distortion of surface design and/or printed information beneath film.

Easy-release paper liner:

Enables die cutting for simple, streamlined application during or after manufacture.

UV resistant:

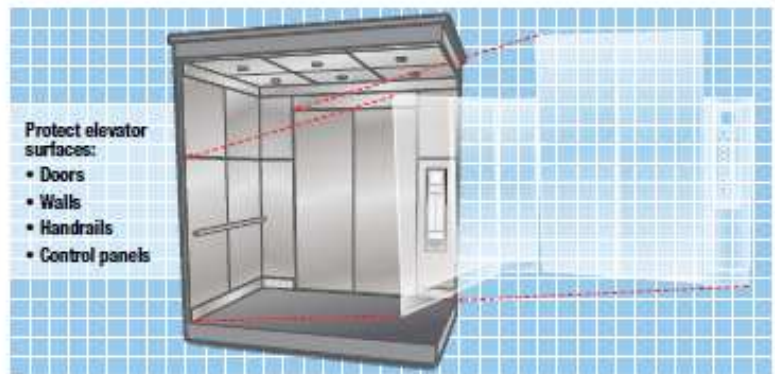
Protects both indoors and outdoors.

PRODUCT

- 3M™ Industrial Protective Film 7070UV
- 3M™ Industrial Protective Film 7071UV

Market: Elevators (OEM)

Application Description: Resists abrasion and day-to-day wear to protect surfaces in and around elevators



- Protect elevator surfaces:**
- Doors
 - Walls
 - Handrails
 - Control panels

Key Application Requirements

Film needs to hold reliably to a variety of surfaces, such as wood, metal, plastic and other materials. Needs to be long lasting, conformable and easy to install. Film should create minimal change in surface appearance, even over extended periods of time.

Benefits/Advantages to Customer

Engineered for durability:

Resists damage from abrasion, chemicals, tears and punctures. Maintains a smooth, long-lasting surface on products that experience frequent wear and abuse, such as elevator doors, back walls and button areas.

Excellent backing transparency:

Allows for surface protection without obscuring of surface design or printed information beneath the film.

Easy-release paper liner:

Enables die cutting for simple, streamlined application during or after manufacture.

PRODUCT

- 3M™ Industrial Protective Film 7070UV
- 3M™ Industrial Protective Film 7071UV



Sales Tools

Flyer



Application Profiles

TDS

3M Industrial Protective Film 7070UV & 7071UV

Technical Data January, 2017

Product Description 3M™ Industrial Protective Films 7070UV and 7071UV are abrasion resistant, pressure sensitive adhesive backed film products designed to protect multiple industrial surfaces from damage caused by abrasion, scratching, erosion, UV and minor impacts. These rugged clear films are durable, flexible, and able to conform to curved surfaces while being easy to apply.

Product Construction	Backing	Adhesive	Liner
	Polyurethane	Acrylic	Paper

Typical Physical Properties Note: The following technical information and data should be considered representative or typical only and should not be used for specification purposes.

	7070UV	7071UV	ASTM Test Method
Total Thickness:	8 mils (0.20 mm)	14 mils (0.36 mm)	D-3852
Backing Thickness:	6.5 mils (0.17 mm)	12 mils (0.31 mm)	D-3852
Adhesive Thickness:	1.5 mils (0.4 mm)	2 mils (0.02 mm)	D-3852
Adhesion to Back:	47 oz/in (15 N/100 mm)	37 oz/in (13 N/100 mm)	D-3330
Tensile Strength:	73 lbf/in (1263 N/100 mm)	143 lbf/in (2463 N/100 mm)	D-3759
Elongation at Break:	68%	79%	D-3759
Liner Release:	11 g/in (0.43 N/100 mm)	11 g/in (0.43 N/100 mm)	D-3330
WVTR:	6.1 gH ₂ O/100 in ² /24 hours	2.8 gH ₂ O/100 in ² /24 hours	D-3853

- Features**
- Polyurethane backing resists punctures and tearing. 7071UV is suggested for more extreme applications.
 - Provided on a paper liner for ease of die cutting specific shapes.
 - Easily applied with simple tools in a minimal amount of time.
 - Clear color will not obscure surfaces.
 - Product may be used to protect surfaces outdoors with 7070UV effective for 1 year and 7071UV effective for 2 years. Conclusions based on simulated extreme environmental exposure and individual applications will vary.
 - Maximum service temperature 200°F (93.3°C)
 - Both films demonstrated no wear through with minimal visible scuff pattern after Taber abrasion testing conducted using modified AGM D-4960 1000g weight, 1000 cycles with G-37 mounting sheet.

Video Tutorial





Grazie!



**3M™ Industrial Protective Films 7070UV & 7071UV.
Proteggi a dovere i prodotti a cui tieni !**

